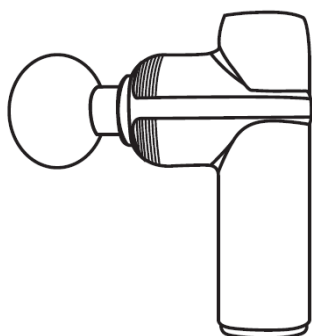


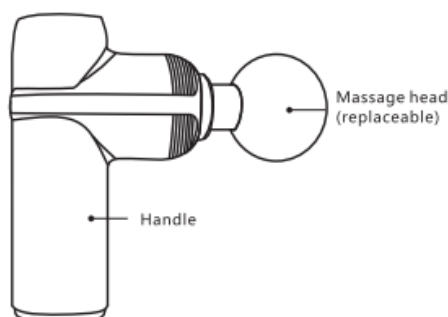


FASCIAL GUN CC-9114

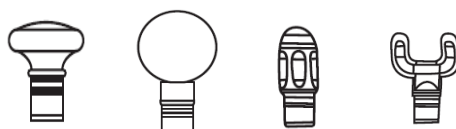


User Manual

Product Overview



Massage Head:



Flat Head

Foe every muscle relaxation of parts. Plastic shape.

Round Head

Foe massage muscle parts, such as palms, soles, etc.

Cusp

Suitable for impact depth layer organization, such as collaterals and joints.

Double Claw Line

Foe neck massage and spine.

Product Use

On/Off

Press and hold the start second for power on.

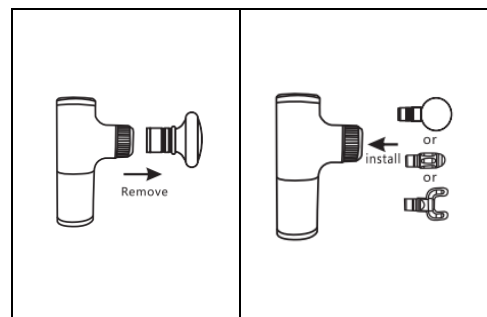
Press and hold the start key for three seconds to shut down.

Force Adjustment

The starting gear is first gear
Click the start key once to increase one gear.

The maximum gear is fourth gear, when fourth gear single out start key changes to first gear.

Change Massage Head



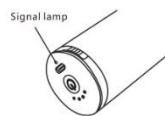
	<p>Product Name: zc-2009 Battery: 2000Ah high performance lithium battery Voltage: 7.4dc 1A Endurance: 1-2h Gear: 4th gear adjustment Interface type: type-C interface Speed: 1800-3200 rpm Number of massage heads: 4 Charging time: 1H Shell material: ABS Amplitude: 6mm Gross/net weight: 0.45kg</p>
--	-----------------------------------------------------------------------------------------------------------------------------------------------------------------------------------------------------------------------------------------------------------------------------------------------------------------------------------------------------------------------------------------------------------------------------------------------------

Indicator Light, Signal Light

- When charging, the gun indicator light shows: Red
- Fully charged, gun indicator: Green
- It takes 2 hours to fully charge from 0 to 100
- It can work for 1-2 hours after full charge
- When the power is insufficient, the machine stops working, and the indicator light flashes continuously for 3 times, and the red light is always on. Please turn off the machine and charge the machine.
- Start the machine. When the battery is low, the indicator light is red, and when the battery is full, the indicator light is green.

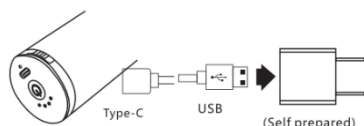


Turn on the green light once for a long time
Four indicator lights are on once turn in.
The signal light is red when charging.
The signal light is green when the battery is fully charged.



When the power is sufficient, the signal light flashes 3 times every 5 seconds,
When the power is less than 60% the signal light flashes twice every 5 seconds,
When the power is less than 30%, the signal lamp flashes once every five seconds.

Charge



When you use money for the first time, be sure to fully charge it.
The signal light is red when charging and green after charging.

When the power of the fascia gun is less than 10%, the signal light flashes red and the signal light
Turn on the red light and charge as soon as possible.

- To ensure the safety use, do not use the fascial gun when charging.

In order to protect the battery life, the signal light flashes red and charges as soon as possible.

Indication

Pain and cramp due to muscle contusion, sprain and strain.
To help the swelling flow.
Loose and thickened connective fabric and fascia.
Reduce the accumulation of lactic in muscle.
Increase joint mobility.
Eliminate muscle fatigue.

Taboo

Aneurysm, bleeding, blood thinners.
Heart disease, with pacemaker or deacidifier.
Pregnancy, cancer.
The device can not be used with 9ng 3 inches of internal fixation.
Sensitive area: head, face, cervical vertebrae and spine.
The position of tibia, dorsum of foot, dorsum of hand, etc.

Detailed List

- | | | |
|-------------------|-------------------------|-----------------|
| Host x1 | Type-C charging line x1 | Instructions x1 |
| | | |
| Round head x1 | Double claw line x1 | Cusp x1 |
| | | |
| Flat flat head x1 | | |
| | | |

Warranty Card

Product Model:

Serial Number:

Purchase Date:

Customer Name:

Customer Tel:

Customer Email:

The following is not covered by the warranty:

- It is not allowed to provide formal purchase certificate and warranty card with detailed information.
- Damage caused by human or irresponsible factors.
- The artificial dismantling of the fascial gun causes irreversible damage.

The company reserves the right of final interpretation of the above- mentioned after-sale terms and restrictions.

--	--	--