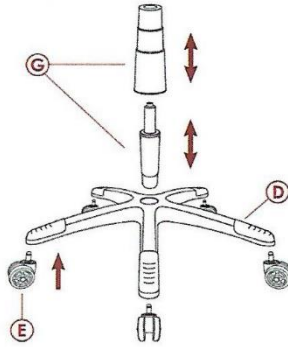


# HG-8080 GAMING CHAIR

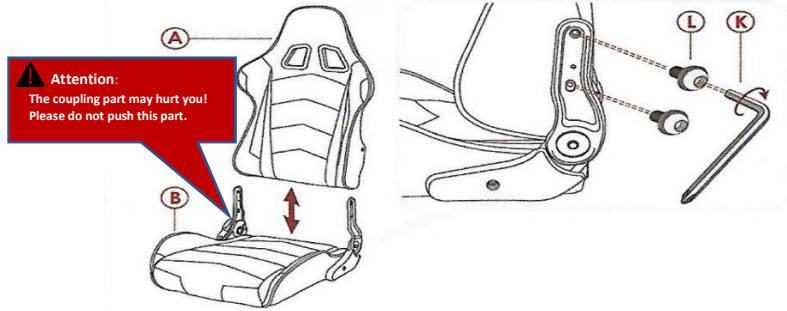
## User Manual

### Assembly Instruction

**⚠ Attention:** Remove All Parts from the Carton and Check them before assembly.

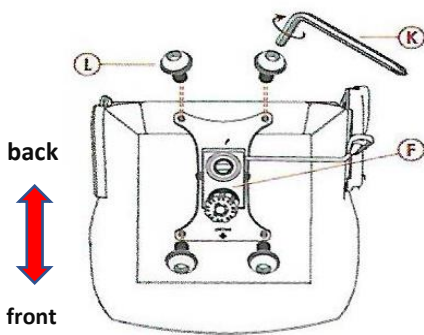


**Step 1**

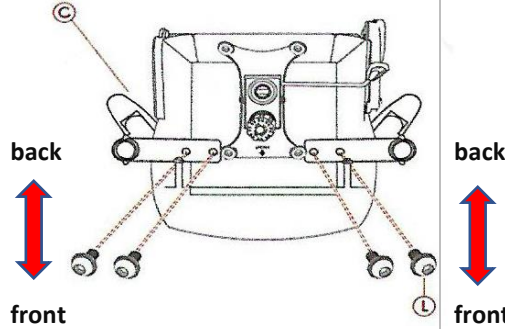


**Notice:** Dont touch the zipper of the chair, that is for Factory's Production

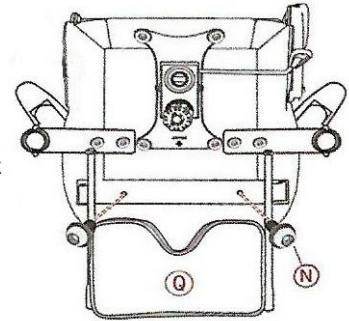
**Step 2**



**Step 3**

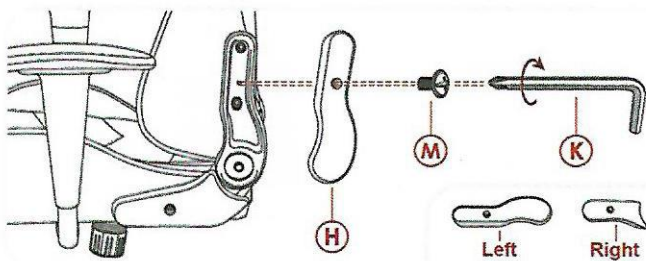


**Step 4**



**Step 5**

\*For Model with Footrest (Large) ONLY, Normal Type Chair may SKIP this Process



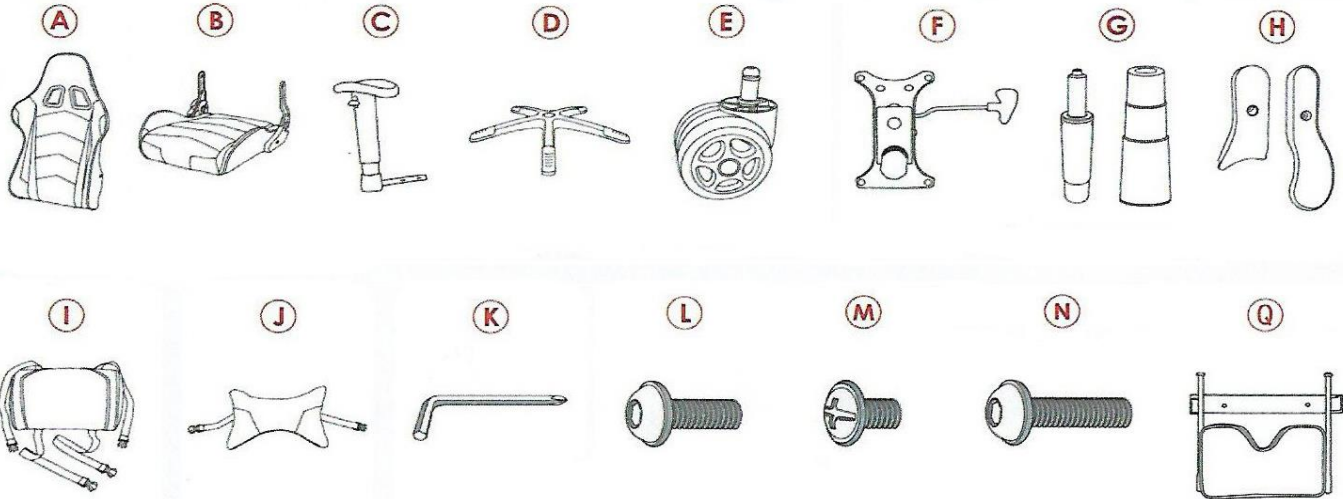
**Step 6**



**Step 7**



# Gaming Chair Parts



<b>A. 1 x Backrest</b>	<b>B. 1 x Seat</b>	<b>C. 2 x Armrests</b>	<b>D. 1 x Base</b>	<b>E. 5 x Wheels</b>
<b>D. 1 x Tilt Mechanism</b>	<b>G. 1 x Gas Lift/Cover</b>	<b>H. 2 x Backrest Cover</b>	<b>I. 1 x Lumbar Pillow</b>	<b>J. 1 x Head Pillow</b>
<b>K. 1 x Universal Tool</b>	<b>L. 12 x M8*18mm Screws</b>	<b>M. 2 x Philips Screws</b>	<b>N. 2 x M8*30mm Screws</b> <i>Note: N &amp; Q if For Model with Footrest (Large)</i>	<b>Q. 1 x Footrest Assembly</b> <i>Note: N &amp; Q if For Model with Footrest (Large)</i>

Dear Customer,

Thank you for your purchase!

Upon receiving your item, if you have problem with it, please contact us immediately. We will try our best to solve your problem.

Thank you.

## Installation Caution:

*(Please read carefully before installation)*

- Please check the quantity and quality of every assembly unit carefully before installation.
- To protect the floor and the unit, please install on soft floor or soft cloth
- To avoid injury during installation, we advise you to wear gloves.
- Please note that it is hard to dismantle once the pneumatic rod is installed.

**⚠ Attention:** *Damage and accidents caused by this operation does not belong to Product Protection Scope. Please be careful when operating and installing the unit.*