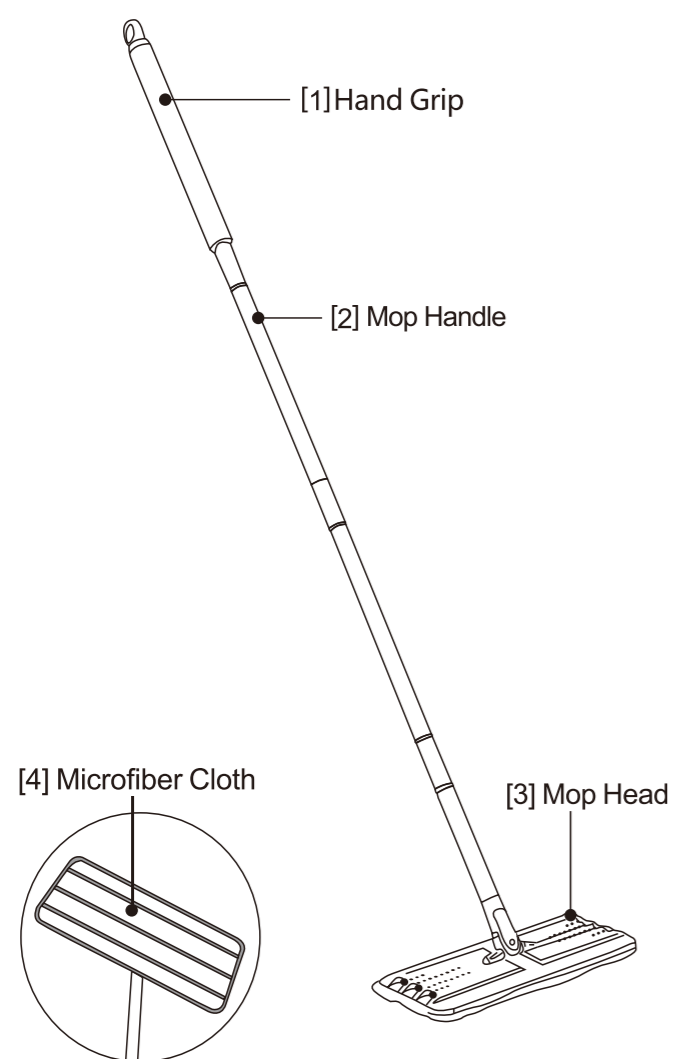
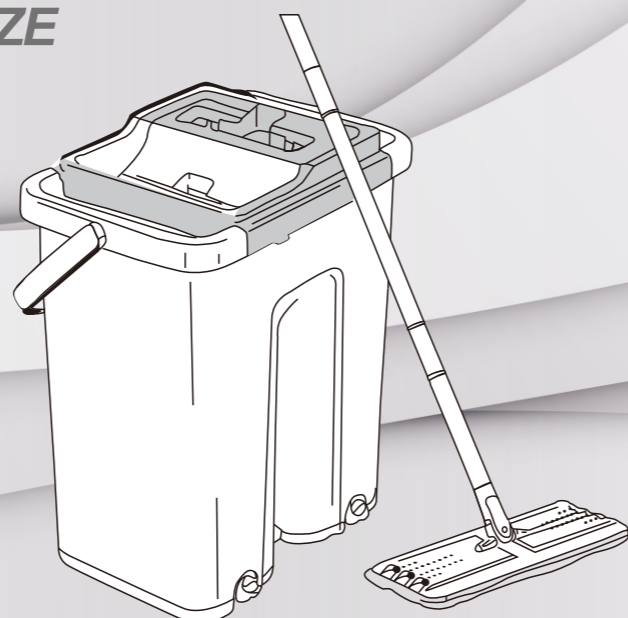


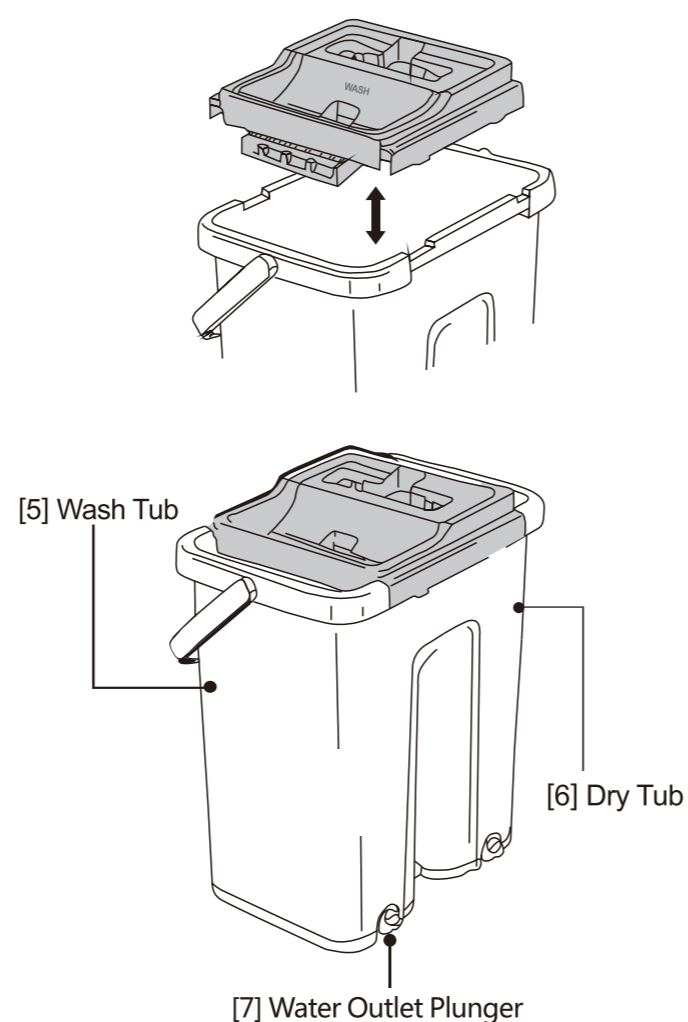
Cenocco[®]
home
CC-9070

FLAT MOP WITH BUCKET AND SQUEEZE
FLAT MOP & BUCKET KIT

Instruction Manual



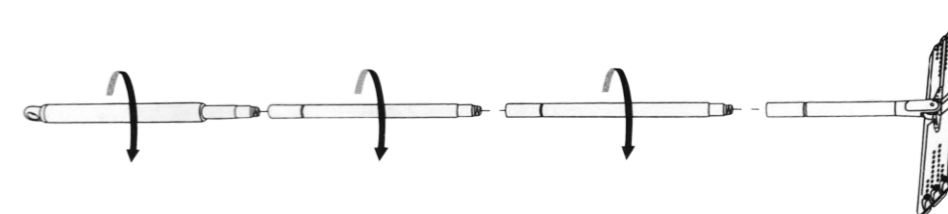
FULLY ASSEMBLED MOP



FULLY ASSEMBLED BUCKET

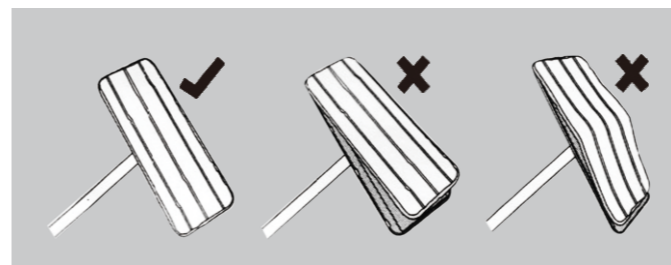
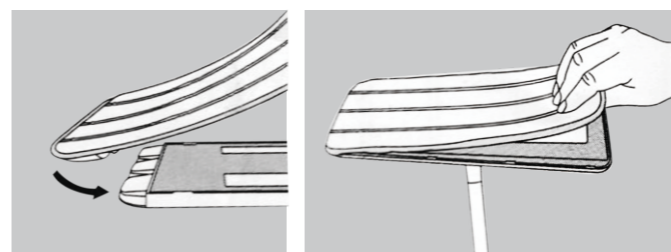
STEP 1

As illustrated, connect the mop handle[2] and twist tight.



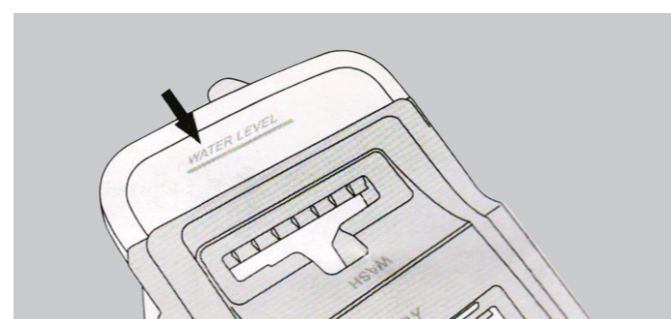
STEP 2

Locate the three tabs found on the mop head[3] and insert them into the corresponding slots found on the microfiber cloth[4]. Once inserted, stick the microfiber cloth[4] onto the mop head[3] pressing equally and firmly.



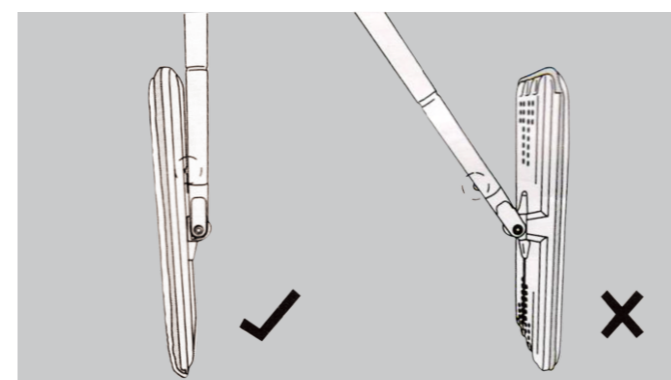
STEP 3

Fill the wash tub[5] with water and please do not over-fill (up to the "Water Level").



STEP 4

Fold the mop as illustrated.



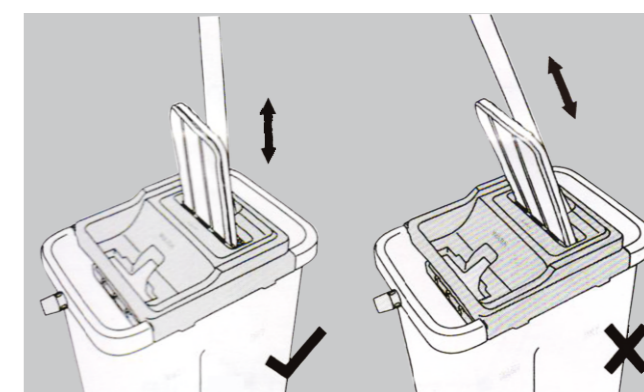
STEP 5

Place the mop into the slot of wash tube[5] and hold the hand grip[1] to rinse mop by vertically moving the handle up and down several times until all the dirty and grime have been scoured off the mop head.



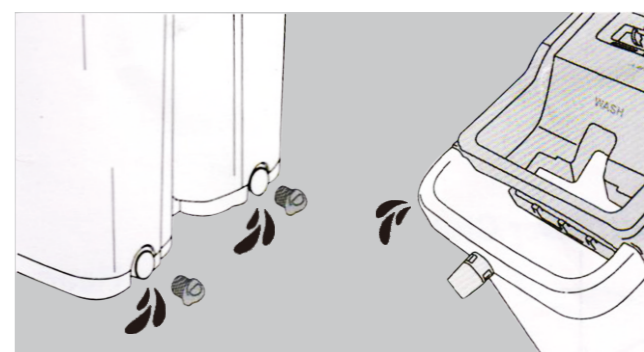
STEP 6

Move the mop to the slot of dry tube[6]. Slowly push down the mop and then lift up to squeeze water out of the mop. Repeat the up&down movement to dry the mop for desired dampness. Then start mopping the floor. (Tips: Please vertically lift the handle to avoid tipping over the bucket.)



STEP 7

Dump the water as below.



A. Open the water outlet plunger[7] on the bottom of the bucket and let the water flow out.

B. Dump the water directly.